

UPOR-3304-180 0.18mm 3.3V Power On Reset Circuit (for 1.8V LDO)

Features

- ◆ 3.3V and 1.8V±10% supply voltage
- ◆ 1.8V digital output signal
- ◆ Tunable reset threshold
- ◆ External reset input
- ◆ Preset fixed internal delay
- ◆ Low quiescent current (10mA typ.)
- ◆ Active-high reset signal

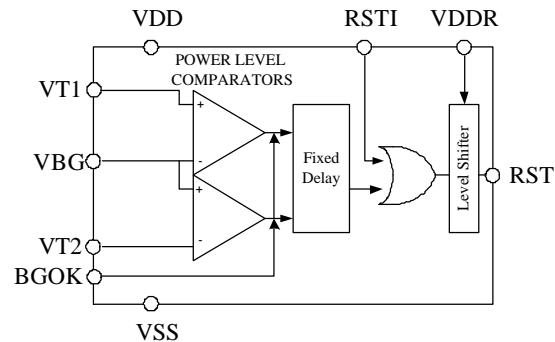
Applications

- ◆ Microprocessor reset
- ◆ Digital circuit reset
- ◆ Voltage detector

Overview

The UPOR-3304-180 is a 3.3V power-on-reset (POR) circuit designed to reset the microprocessor or other digital circuit according to power-good or power-fail conditions. The output level shifter is powered by an independent supply, which makes the reset signal complied with variable logic level.

Block Diagram



Description

The UPOR-3304-180 POR circuit asserts the reset signal after a fixed delay triggered according to input voltage threshold (VT1,VT2) conditions. An optional input pin RSTI is reserved for external reset source. The UPOR-3304-180 is fabricated in TSMC 0.18μm logic salicide 1P6M 1.8V/3.3V CMOS process with 1P3M layout. The test chip of UPOR-3304-180 is available in a 64-lead LQFP package. The evaluation board is also available with the test chip.

Global Unichip Corp.

TEL: +886-3-5646600 <http://www.globalunichip.com>
 FAX: +886-3-5646000 e-mail: info@globalunichip.com
 No.10, Li-Hsin 6th Rd., Hsinchu Science Park, Hsinchu 300, Taiwan

Deliverables

- ◆ **Comprehensive document set**
- ◆ **Hard macro**
- ◆ **Synopsys™ synthesis model**
- ◆ **Verilog model**
- ◆ **TLF model**
- ◆ **LEF model**
- ◆ **Test chip**
- ◆ **Evaluation board**

UNICORN MARKET

Global Unichip Corp.

TEL: +886-3-5646600 <http://www.globalunichip.com>
FAX: +886-3-5646000 e-mail: info@globalunichip.com
No.10, Li-Hsin 6th Rd., Hsinchu Science Park, Hsinchu 300, Taiwan