

URSDS-2533-250

0.25 μ m RSDS Transmitter

Features

- ◆ TSMC 0.25um Logic Salicide 2.5V/3.3V
- ◆ Operating junction temp. : 0°C -85°C
- ◆ Programmable output swing.
- ◆ Controllable Offset Voltage.
- ◆ Operation frequency 20MHz-110MHz
- ◆ RSDS™ standard
- ◆ 8 Bit color Mapping

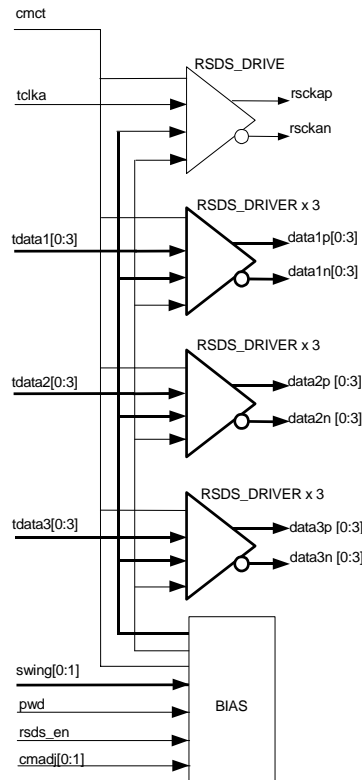
General Description

This RSDS™ cell complies with RSDS™ standard [1], which is used mainly in Flat-panel timing controller and the column drivers. It also enables larger, higher resolution displays and lowers component counts without increasing power consumption, bus interconnect or overall cost.

Functional Description

Two modes are provided; Power down and rds enable modes.

Block Diagram



RSDS™ Transmitter (one channel)

	pwd = 1	pwd=0				
rsds_en = 0	V _{OD} = 0 V _{OS} = X	V _{OD} = 0 V _{OS} = X				
rsds_en = 1	V _{OD} = 0 V _{OS} = X	swing[1]/[0]	0/0	0/1	1/0	1/1
		V _{OD}	≈ 200mV	≈ 300mV	≈ 400mV	≈ 500mV
		cmadj[1]/[0]	0/0	0/1	1/0	1/1
		V _{OS}	≈ 700mV	≈ 800mV	≈ 1000mV	≈ 1200mV

Global Unichip Corp.

TEL: +886-3-5646600 <http://www.globalunichip.com>
 FAX: +886-3-5646000 e-mail: info@globalunichip.com
 No.10, Li-Hsin 6th Rd., Science-Based Industrial Park, Hsinchu 300, Taiwan



創意電子
GLOBAL UNICHIP CORP.

Deliverables

- ◆ Verilog model
- ◆ Synopsys model
- ◆ LEF model
- ◆ Datasheet
- ◆ User's manual

Global Unichip Corp.

TEL: +886-3-5646600 <http://www.globalunichip.com>

FAX: +886-3-5646000 e-mail: info@globalunichip.com

No.10, Li-Hsin 6th Rd., Science-Based Industrial Park, Hsinchu 300, Taiwan