

## URSDS-2533-250EF 0.25um RSDS Transmitter

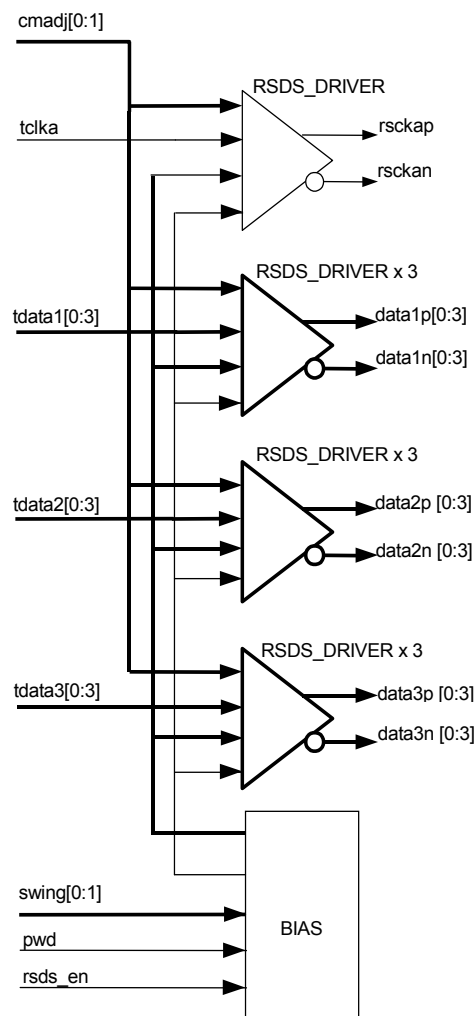
### Features

- TSMC 0.25um split gate  
Embflash 2P4M Salicide  
2.5V/3.3V
- Operating junction temp. : 0°C  
-85°C
- Programmable output swing.
- Controllable Offset Voltage.
- Operation frequency  
20MHz-85MHz
- RSDS™ standard

### Overview

This RSDS™ cell complies with RSDS™ standard [1], which is used mainly in Flat-panel timing controller and the column drivers. It also enables larger, higher resolution displays and lowers component counts without increasing power consumption, bus interconnect or overall cost.

### Block Diagram



### Global Unichip Corp.

TEL: +886-3-5646600

<http://www.globalunichip.com>

FAX: +886-3-5646000

e-mail: [info@globalunichip.com](mailto:info@globalunichip.com)

No.10, Li-Hsin 6th Rd., Science-Based Industrial Park, Hsinchu 300, Taiwan

## Description

Two modes are provided; Power down and rsds enable modes.

	pwd = 1	pwd=0				
rsds_en = 0	V <sub>OD</sub> = 0	V <sub>OD</sub> = 0				
rsds_en = 1	V <sub>OD</sub> = 0	swing[1]/[0]	0/0	0/1	1/0	1/1
		V <sub>OD</sub>	≈ 100mV	≈ 200mV	≈ 500mV	≈ 600mV

Where VOD is clock or output signal.

## Deliverables

- Verilog model
- Synopsys model
- LEF model
- Data sheets
- User's manual

## *Global Unichip Corp.*

TEL: +886-3-5646600      <http://www.globalunichip.com>

FAX: +886-3-5646000      e-mail: [info@globalunichip.com](mailto:info@globalunichip.com)

No.10, Li-Hsin 6th Rd., Science-Based Industrial Park, Hsinchu 300, Taiwan